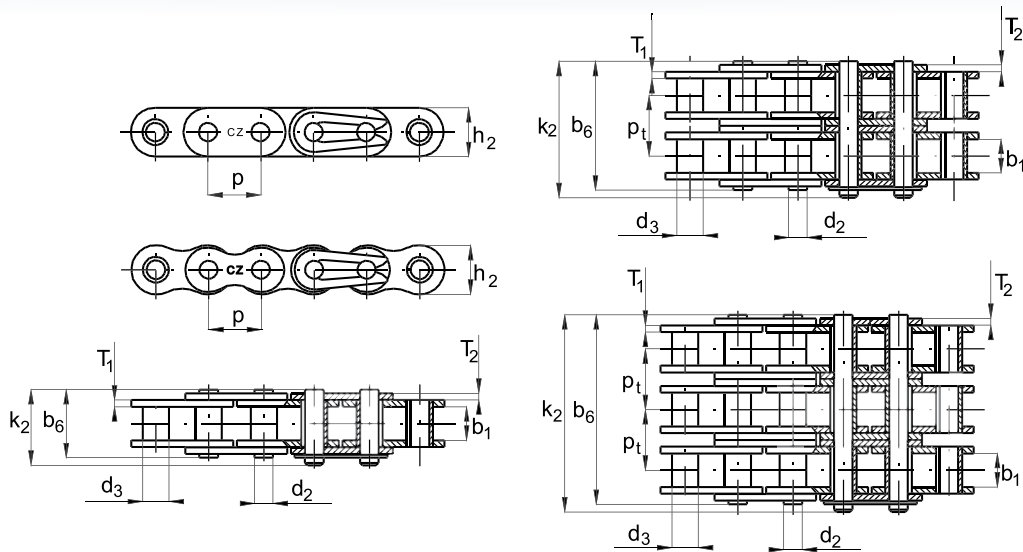


BUSH CHAINS

According to standards ISO 1395, DIN 8154, ASME B29.1M, ČSN 02 3321, ČZ



ISO DIN ČSN	TRADE MARK ČZ	PITCH	INSIDE WIDTH	BUSH DIAMETER	PIN DIAMETER	PIN LENGHT	CONNECT. PIN LENGHT	INNER PLATE WIDTH	INNER PLATE THICKNESS	OUTER PLATE THICKNESS	TRANS- VER. PITCH	BEARING AREA	WEIGHT	BREAKING LOAD	CONNECTING ELEMENTS			
															B	A	E	C
		p	b ₁ min.	d ₃ max.	d ₂ max.	b ₆ max.	k ₂ max.	h ₂ max.	T ₁	T ₂	p _t	S	q	FB min.				
		mm	mm	mm	mm	mm	mm	mm	mm	mm	mm	mm ²	kg/m	N				
	ČZ 219	7,774	4,60	4,59	3,00	12,15		7,55	1,40	1,30		23,70	0,30	9 500	•	•		
062 C		9,525	9,52	6,00	4,18	17,80		9,25	1,80	1,20		56,01	0,59	12 390	•	•		•
06 C-1**	ČZ 35	9,525	4,77	5,08	3,58	12,00	13,30	8,80	1,20	1,20		26,74	0,39	8 295	•	•	•	•
	ČZ 35 STRONG	9,525	4,77	5,08	3,58	12,50	13,55	8,80	1,20	1,20		28,28	0,41	8 830	•	•	•	•
06 C-2*		9,525	4,77	5,08	3,58	22,10	23,45	8,80	1,20	1,20	10,13	53,48	0,76	17 600	•	•	•	•
06 C-3*		9,525	4,77	5,08	3,58	32,30	33,70	8,80	1,20	1,20	10,13	80,22	1,24	24 530	•	•	•	•
	3/8"x5/16"	9,525	7,75	5,00	3,32	15,90	17,20	9,25	1,60	1,20		37,08	0,45	11 000	•	•	•	•
	3/8"x7,5	9,525	7,50	5,00	3,32	15,90	17,20	9,25	1,60	1,20		37,08	0,45	11 000	•	•	•	•

*ONLY WITH STRAIGHT PLATES

**ALSO WITH SHAPED PLATES (THE WIDTH OF INNER PLATE h₂ MAX = 9mm)

CONNECTING ELEMENTS

